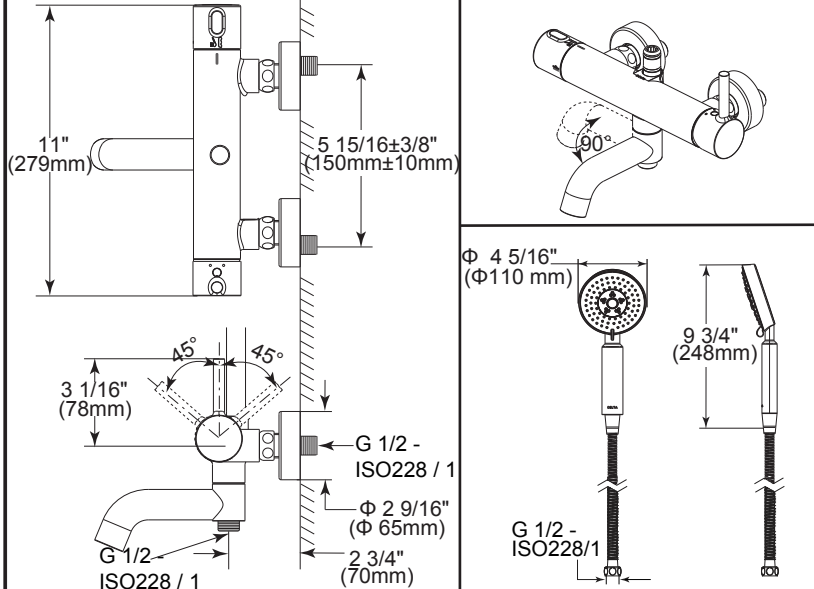
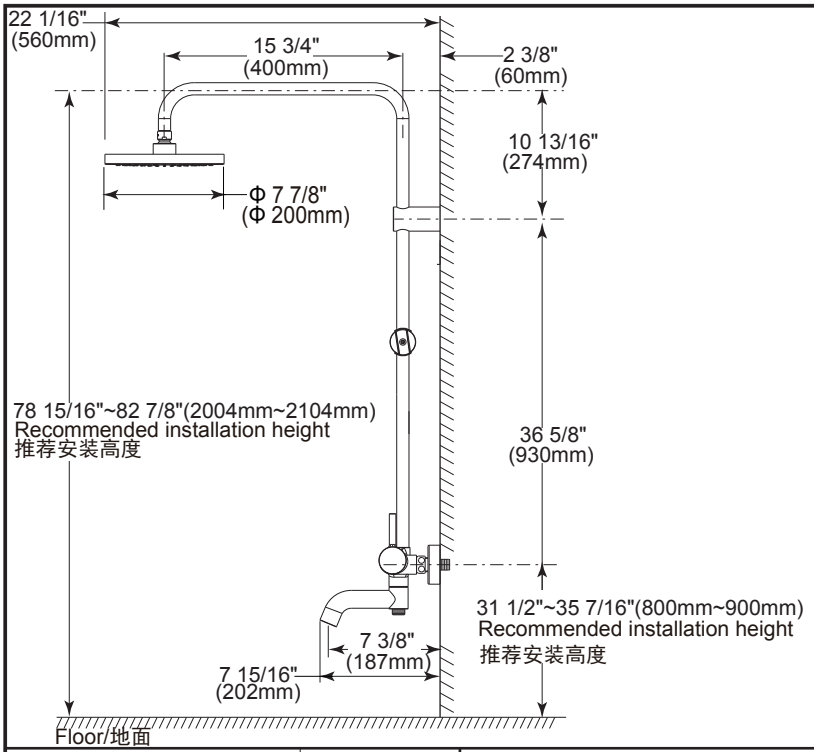


ISP23255-180766-SG

Submitted Model No. / 所需产品号码:

Specific Feature / 详细特征:



■ Hard-connection shower bar

■ 淋浴柱

EN

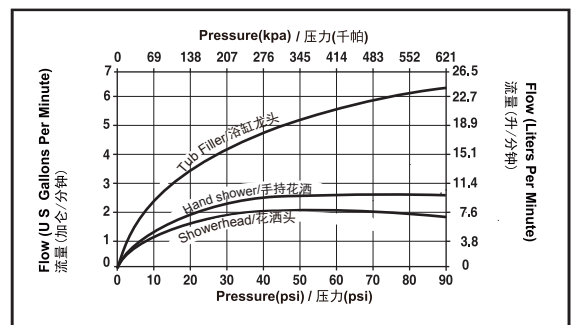
Standard Specification

- Finish: Chrome plated.
- Casted brass body.
- $\Phi 35\text{mm}$ ceramic cartridge with 500,000 life cycles per standard ASME A112.18.1.
- Metal handle with hot/cold temperature indicator.
- Faucet 100% leak test.
- Integrated diverter of faucet water between showerhead and spout.
- Retractable spout diverting water between spout and handshower.
- Integrated connection between shower-pipe and faucet.
- 3 Function touch-clean handshower set.
- $\Phi 7\ 7/8"$ (200mm) touch-clean showerhead.
- Adjustable handshower holder.
- 59" (1500mm) long metal double-interlock anti-twist shower hose, G 1/2 - ISO228/1:2000 thread connection.
- Faucet compliant to Singapore WELS water-efficiency requirements, meeting 2-tick (Very Good).

CN

标准规格

- 表面处理: 镀铬。
- 精密铸造黄铜本体。
- 陶瓷阀芯的直径为35mm, 使用寿命达到 ASME A112.18.1 标准50万次。
- 金属手柄带有热/冷温度指示。
- 100%防漏水测试。
- 龙头上的分水器可切换头顶花洒和水嘴出水。
- 旋转的水嘴可切换水嘴和手持花洒出水。
- 淋浴管与龙头安装简易, 快捷。
- 三功能、触净式手持花洒。
- 触净式头顶花洒, 花洒头直径7 7/8" (200mm)。
- 配备可调节花洒座。
- 配备金属双扣防缠绕连接软管, 软管长度为59" (1500mm), 接头是G 1/2-ISO228/1:2000螺纹。
- 产品符合新加坡WELS节水认证要求, 达到“√”(Very Good)的标准。



Dimensions are for reference only / 以上尺寸仅供参考
 DSP-B-ISP23255-180766-SG Rev. A